



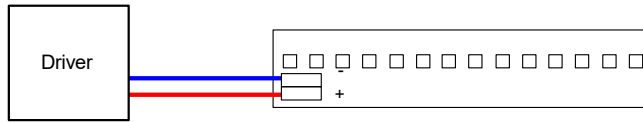




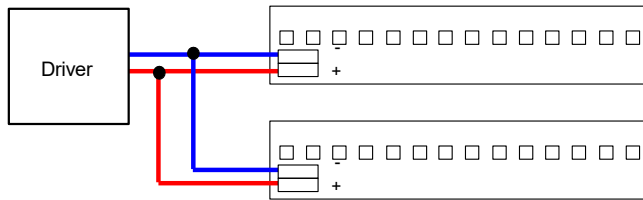




Z72-1

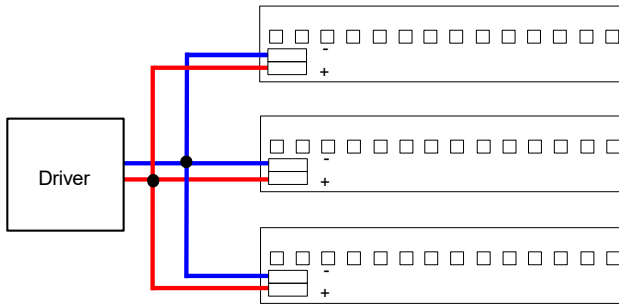


Z72-2



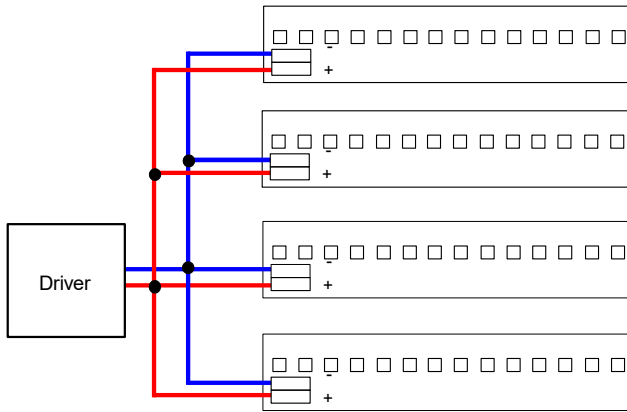
Modules are connected in parallel with each other and will split the output current from the driver.

Z72-3



Modules are connected in parallel with each other and will split the output current from the driver.

Z72-4



Modules are connected in parallel with each other and will split the output current from the driver.