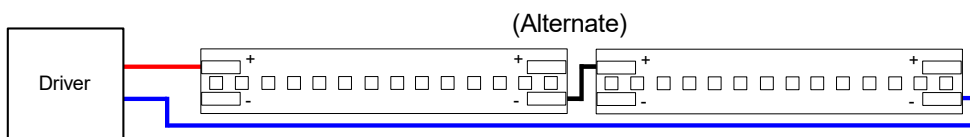
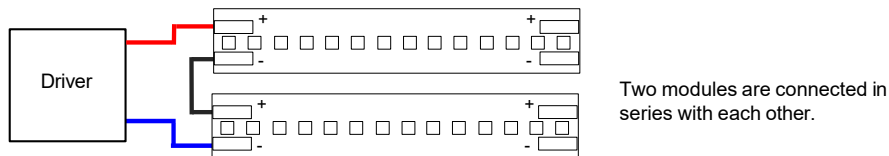


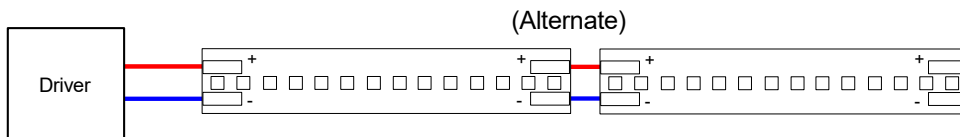
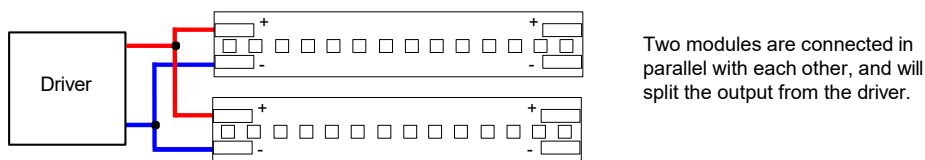




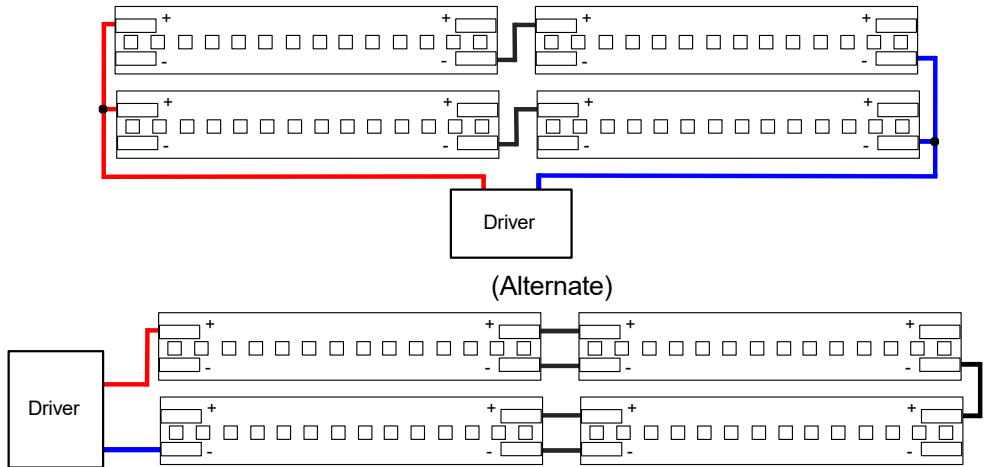
ZH-2



ZH-3

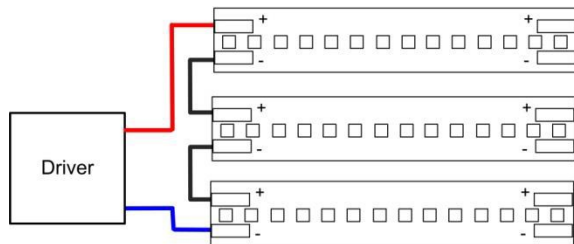


ZH-4



Modules are connected in either a series-parallel or parallel-series configuration.

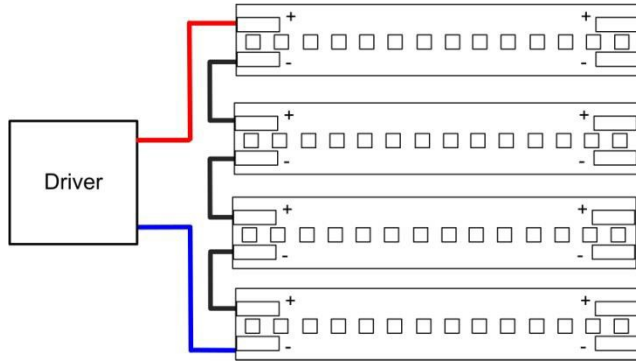
ZH-7



Three Modules in Series:

Series wiring can be configured with a variety of methods. The Red lead from driver must connect to "+" terminal of first module. The "-" terminal of first module must be connected to "+" terminal of the next module. This pattern continues with the "-" terminal of the last module connecting to the Blue lead of the driver.

ZH-8



Four Modules in Series:

Series wiring can be configured with a variety of methods. The Red lead from driver must connect to "+" terminal of first module. The "-" terminal of first module must be connected to "+" terminal of the next module. This pattern continues with the "-" terminal of the last module connecting to the Blue lead of the driver.

ZH-11

