

# WRC-4244 + WUL-4924 - Dialog Room Controller



Project Name: _____
Part Numbers: _____ Date: _____

## Features

- Plug 'N Control® 4 loads (6 with expansion pack)
- Plug 'N Control 4 dimming channels
- Plug 'N Control 2 emergency lighting loads (with expansion pack)
- Network Room Controllers to support 12 loads
- Integrate with BACnet IP systems



ASHRAE 90.1 Compliant

The 4000 series of Dialog® Room Controllers are built on the existing chassis of Room Controllers, and feature advancements to make them more versatile across a variety of applications and compatible with the CheckLight™ Energy Management system. These advancements include:

- Wire colors that are easy to differentiate and are unique for room control applications
- UL924 certified expansion and emergency lighting pack compatibility with both the 2-relay and 4-relay models of the Room Controller
- Browser interface that allows network devices to create a 12-circuit system with controllers, expansion packs, or both

All 4000 series Room Controllers provide distributed lighting control solution for offices, classrooms and defined spaces. Its thoughtful design eliminates wiring complications by mounting directly to junction boxes with the incorporated ½ inch chase nipples. Color coded labels correspond with wires, and wiring information inside the wiring compartment clearly identify proper connections.

**Typical Applications:** Out-of-the-box ease of installation and operation through Plug 'n Control functionality means once the system is connected, your room is under control. With an easy installation process and the removal of commissioning challenges, the Dialog Room Controller is up and running quickly, and operating effectively to meet the requirements of ASHRAE 90.1 and California Title 24 installations.

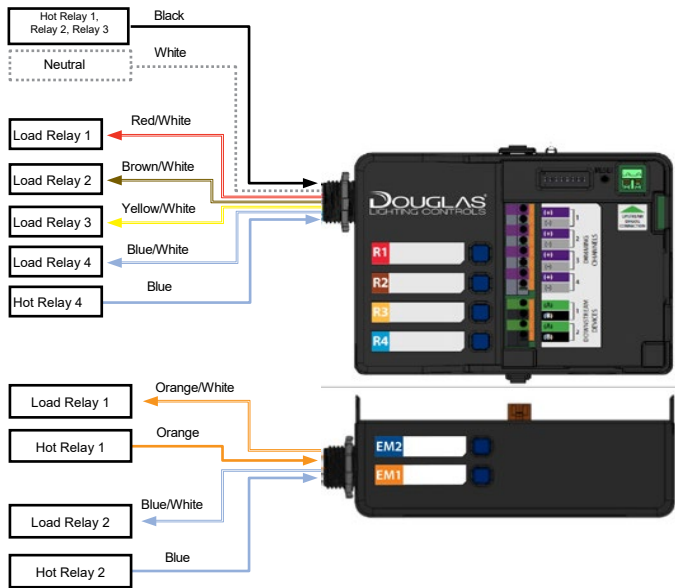
Dialog Room Controller is part of a complete room control system that includes the Dialog Room Controller, Occupancy and Photo Sensors, and Wall Station Switches. Plug 'N Control ready, these peripheral devices connect to the Room Controller via the simple 2-wire, nonpolarized low voltage (18/2 AWG) data/power bus, minimizing installation time.

When combined with the CheckLight equipped centralized Lighting Control Unit (LCU), monitor, manage, and report on the complete lighting system remotely through the cloud-based platform. This platform allows for Demand Response via a OPENADR connection or manual triggers. Global control and scheduling can also be achieved when combining a room controller system with the LCU.

PART NUMBER	DESCRIPTION
WRC-4244	Room Controller 4 Relay, 4 Dim 120/277/347Vac, BACnet
WUL-4924	Digital 2 Channel UL924 EM Lighting Controller/Relay Expansion Pack

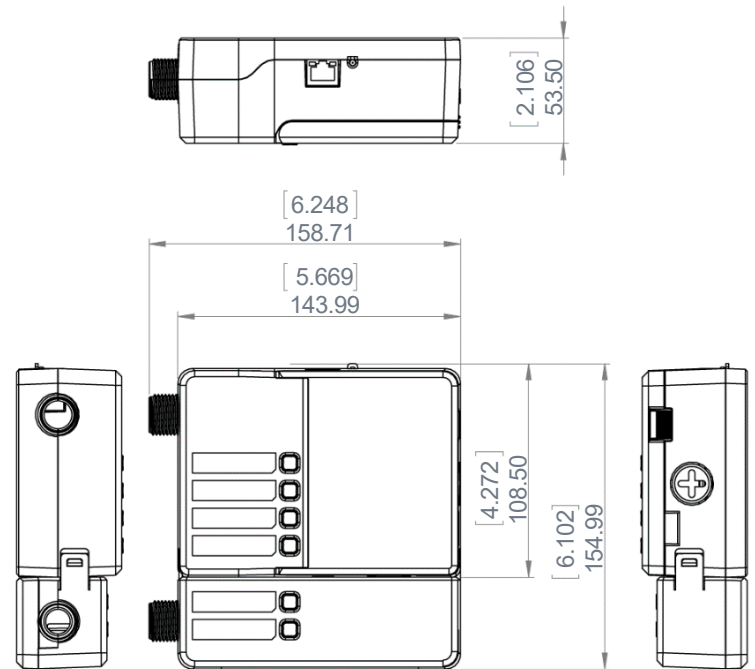
# WRC-4244 + WUL-4924 - Dialog Room Controller

## Connections



## Dimensions

Inches [mm]



## Technical Details

<b>INPUT</b>	<ul style="list-style-type: none"> <li>120/277/347VAC, 20A Max., 60Hz</li> </ul>	
<b>OUTPUT</b>	<ul style="list-style-type: none"> <li>20A General Use 120/277/347VAC</li> <li>20A Standard Ballasts &amp; Tungsten Loads 120/277VAC</li> <li>15A Standard Ballasts 347VAC</li> <li>16A Electronic Ballasts 120/277VAC</li> <li>0.5HP 120/277VAC</li> </ul>	
<b>RELAYS</b>	<ul style="list-style-type: none"> <li>WRC-4244 - Four relays #1, #2, #3 combined @ 20A #4 @ 20A</li> </ul>	<ul style="list-style-type: none"> <li>WUL-4924 - Two @ 20A</li> </ul>
<b>DIMMING</b>	<ul style="list-style-type: none"> <li>Four 0-10V Class 2 independent dimming channels</li> <li>100 mA sinking current per channel</li> </ul>	<ul style="list-style-type: none"> <li>None</li> </ul>
<b>APPROVALS</b>	<ul style="list-style-type: none"> <li>UL2043 (Plenum), UL508, UL1310</li> <li>CSA c22.2 NO. 14</li> <li>Meets current ASHRAE 90.1 requirements</li> <li>Meets current CEC Title 24 requirements</li> </ul>	
<b>WEIGHT</b>	<ul style="list-style-type: none"> <li>18oz. (520g.)</li> </ul>	
<b>MOUNTING</b>	<ul style="list-style-type: none"> <li>Mounts to junction box via 1/2" chase nipple</li> </ul>	
<b>ENVIRONMENT</b>	<ul style="list-style-type: none"> <li>Indoors, stationary, non-vibrating, non-corrosive atmosphere and non-condensing humidity</li> <li>Ambient Operation Temperature: 32°F to 100°F (0°C to 38°C)</li> </ul>	
<b>WARRANTY</b>	<ul style="list-style-type: none"> <li>Standard 5-years</li> </ul>	