

WOSSDG1-BDP-VW – Switch Mount Dimmer Occ/Vac Sensor w/Daylighting (DualTech, Network)



Project Name: _____
 Part Numbers: _____ Date: _____

Features

- Dual-Technology (ADI-Voice® & PIR)
- Photocell for Daylight Harvesting
- 2-Wire Dialog for Data and Power
- Programmable via Bluetooth with a mobile App
- Raise & Lower Button for discrete control



ASHRE 90.1 Compliant

The Dual Technology (ADI-voice and Passive Infrared) Occupancy or Vacancy Switch Mounted Sensors for Dialog® based systems provide the best of coverage to operate your lights on occupancy triggers for small spaces. Plug 'N Control ready, the sensor connects to the Dialog Room Controller and Dialog system via our simple 2-wire, nonpolarized low voltage (18/2 AWG) data/power bus, minimizing commissioning time.

The timer adjustment can be set for delays from 15 seconds to 60 minutes. In addition, this sensor introduces into the market a Prolong state allowing for a two-stage timer. (I.e. dim the lights to 20% for 10 minutes before turning OFF, upon no occupancy activity detection.) In addition, the device includes a daylight sensor for dual usage application, reducing the installation of devices in the room. The device includes a Raise and Lower button. When either are used the lights will turn ON and allow for dimming controls; Tap both simultaneously to turn off.

Typical Applications: Occupancy Sensor controlled small rooms such as, individual offices, and storage rooms. Including manual dimming.

PART NUMBER	DESCRIPTION
WOSSDG1-BDP-VW	Switch Mounted Dimmer Occupancy Sensor w/Daylighting, Photo (DualTech, Network)
WVSSDG1-BDP-VW	Switch Mounted Dimmer Vacancy Sensor w/Daylighting, Photo (DualTech, Network)

Installation



Mobile Device Configuration App

The 4000 Series switch stations allow for programming via Apple iOS or Android. The app will search the local area and list the connectable devices. With a network key, all settings are secured from tampering.

Dialog® 4000 Programmer



Apple iOS



Coming soon

Android

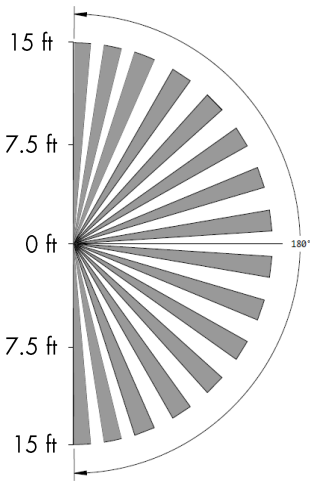
*Patent Pending

Rev 1/25/2022

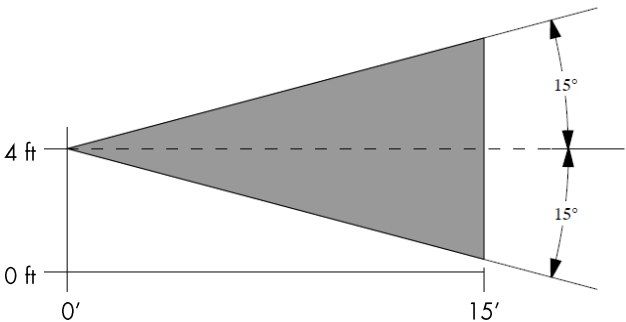
Douglas Lighting Controls

WOSSDG1-BDP-VW – Switch Mount Dimmer Occ/Vac Sensor w/Daylighting (DualTech, Network)

Top View

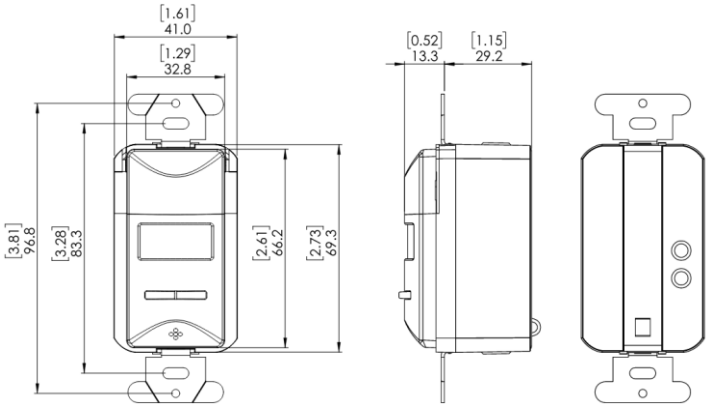


Side View



Dimensions

mm [inches]



*fits in standard gang boxes

Technical Details

FUNCTIONALITY	<ul style="list-style-type: none"> • Occupancy (Auto ON / Auto OFF) • Vacancy (Manual ON / Auto OFF) • Partial OFF (Auto ON / Dimmed State OFF) • Partial ON (Dimmed State ON, Auto OFF) • Manual Control ON/OFF/Raise/Lower • Optional Prolong State • Daylight Harvesting for Dialog® based systems • Programmed via iOS devices (iOS 11 and above) & Android (10 and above) • Download "Dialog® 4000 Programmer" from the Apple App store or Android Play Store to configure
CURRENT DRAW	<ul style="list-style-type: none"> • 10 mA
POWER	<ul style="list-style-type: none"> • Dialog Dataline (10mA @ 24VAC) up to 12 units per WRC-42xx, up to 32 units on a WLC-4150
APPROVALS	<ul style="list-style-type: none"> • ASHRAE 90.1 2019 Compliant • California Energy Commission Title 24 & NYLL 48 Compliant • FCC Compliant
ENVIRONMENT	<ul style="list-style-type: none"> • Indoor, stationary, non-vibrating, non-corrosive atmosphere and non-condensing humidity • Operating temperature: 32°F to 104°F (0°C to 40°C) • Storage temperature: 14° to 140°F (-25° to 60°C)
WARRANTY	<ul style="list-style-type: none"> • Standard 5-years

*Patent Pending

Rev 1/25/2022

Douglas Lighting Controls